

TECHNICAL DATA Nº 2.696 - 575513001

LAMP INFO

| | | | |
|--------------------------|--|---------------------|------|
| Description: | LAMP MESA BET,LED 6,5W 530lum touch dim (gris) | | |
| Mark: | 20001 TL Table Lamp | | |
| Reference: | 575513001 | | |
| Provisional Ref.: | | | |
| Range: | 57551 BET | | |
| Code EAN: | 8421797755133 | | |
| Measures (mm): | 0310-0350-0180 | Weight (kg): | 0.80 |

TECHNICAL INFO

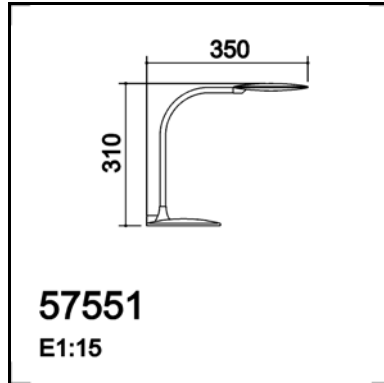
| | | | | | |
|--------------------------|----------|----------------|--------|---------------------------|-------------|
| Lampholder/Watts: | LED 6,5W | Switch: | Touch | Transformer: | Yes |
| Bulb included: | Yes | Dimmer: | Yes | Voltage/Frequence: | 230V - 50Hz |
| CCT: | 4500K | Efi: | A++..A | Shade: | No |
| Lm: | - | Ra: | - | Shrink wrap: | No |
| Class: | III | Bulk: | No | Applied Standard: | CE / LVD |
| IP: | 20 | McAdam: | - | Power: | - |

PACKAGING DETAILS

| | Individual Box | Outer Box | Master Box |
|---------------------------|-----------------------|----------------------|-----------------|
| Type: | MDC- COLORS / COULEUR | MDC - MARRON / BROWN | |
| Units: | 1.00 | 6.00 | 0.00 |
| Measures: | 0166-0166-0270 | 0520-0345-0290 | ___ - ___ - ___ |
| Gross Weight (kg): | 0.92 | 6.00 | - |
| CTN 40': | 6.458,00 | | |

OBSERVATIONS

| |
|-----------|
| LED 530lm |
| |
| |
| |
| |



TECHNICAL DATA Nº 2.697 -575518001

LAMP INFO

| | | | |
|--------------------------|---|---------------------|------|
| Description: | LAMP MESA BET,LED 6,5W 530 lum touch dim (blanco) | | |
| Mark: | 20001 TL Table Lamp | | |
| Reference: | 575518001 | | |
| Provisional Ref.: | | | |
| Range: | 57551 BET | | |
| Code EAN: | 8421797755188 | | |
| Measures (mm): | 0310-0350-0180 | Weight (kg): | 0.80 |

TECHNICAL INFO

| | | | | | |
|--------------------------|-------|----------------|--------|---------------------------|-------------|
| Lampholder/Watts: | LED | Switch: | Touch | Transformer: | Yes |
| Bulb included: | Yes | Dimmer: | No | Voltage/Frequence: | 230V - 50Hz |
| CCT: | 4500K | Efi: | A++..A | Shade: | No |
| Lm: | - | Ra: | - | Shrink wrap: | No |
| Class: | III | Bulk: | No | Applied Standard: | CE / LVD |
| IP: | 20 | McAdam: | - | Power: | - |

PACKAGING DETAILS

| | Individual Box | Outer Box | Master Box |
|---------------------------|-----------------------|----------------------|-----------------|
| Type: | MDC- COLORS / COULEUR | MDC - MARRON / BROWN | |
| Units: | 1.00 | 6.00 | 0.00 |
| Measures: | 0166-0166-0270 | 0520-0345-0290 | ___ - ___ - ___ |
| Gross Weight (kg): | 0.91 | 6.00 | - |
| CTN 40': | 6.458,00 | | |

OBSERVATIONS

| |
|-----------|
| LED 530lm |
| |
| |
| |
| |